

B 128/A

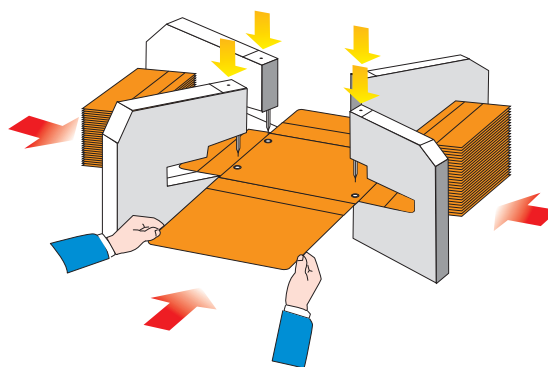
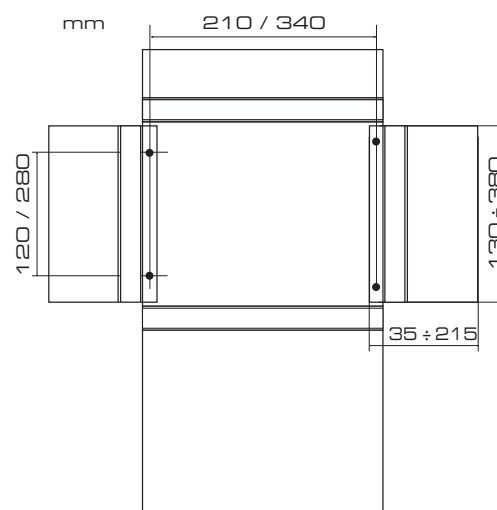
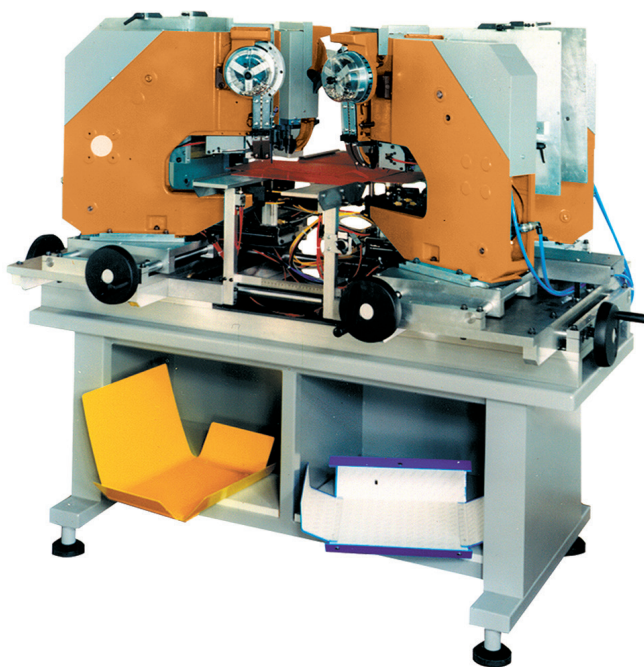
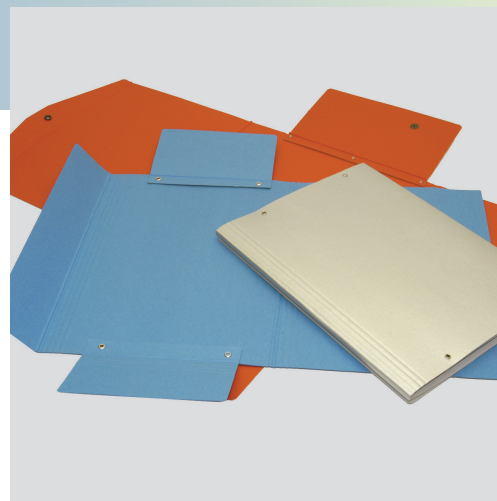
IML
MACHINERY

Macchina speciale per montaggio alette su cartelle a tre lembi

Macchina elettro-pneumatica a quattro teste con alimentazione automatica delle alette laterali inserite in appositi magazzini laterali a caricamento verticale continuo. A richiesta cliente fattibile sia nella versione occhiellatrice o rivettatrice. Le alette possono essere fissate con due o tre rivetti/occhielli.

Special machine for the assembling of flaps on 3-flaps folders

Electro-pneumatic machine with four heads with automatic feeding of lateral flaps loaded from special vertical feeders with continuous feeding. It is available in eyeleting or riveting version on request of the customer to fix the flaps with two or three rivets/eyelets.



Dynamic process

- Materiale utilizzato: Cartone rivestito, Fibrone, Polipropilene.
- Occhielli/Rivetti: A richiesta.
- Spessore cartone: da 0,5 mm a 2,5 mm
- Produzione: 10 pezzi/minuto*
- Voltaggio: 220 Volt monofase
- Consumo pneumatico: 18 NL/ciclo (6 bar)
- Dimensioni: L= 1550 mm; P= 900 mm; H= 1440 mm.
- Peso: Kg. 350

- Used Material: Coated board, Fiber board, PP.
- Eyelets/Rivets: On request.
- Cardboard thickness: 0,5 mm to 2,5 mm
- Capacity: up to 10 pieces/minute*
- Voltage: 220 Volt single-phase
- Compressed air: 18 NL/cycle (6 bar)
- Overall dimensions: L= 1550 mm; P= 900 mm; H= 1440 mm.
- Weight: Kg. 350

* Production capacity of every machine depends on sizes, type of materials, glues and operator skill
IML reserves the right to change technical specifications without notice.